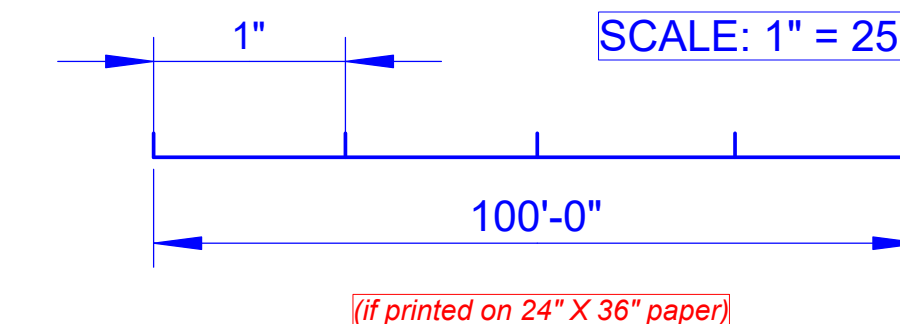
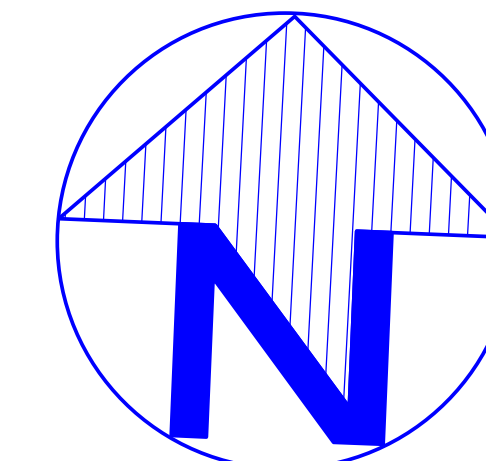


FIREWORKS

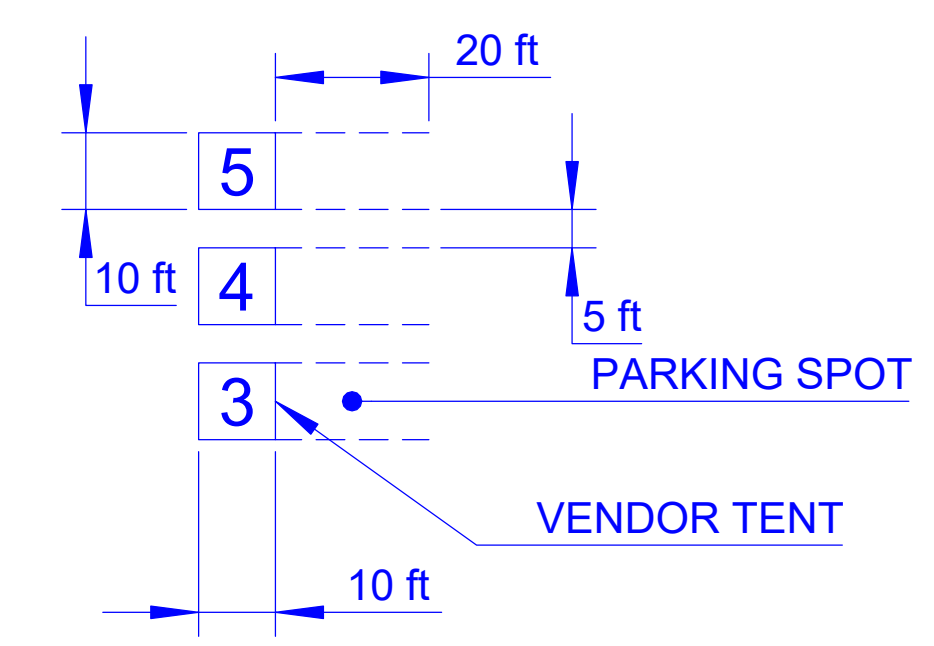
SITE NO.	DISTANCE FROM DRIVEWAY (FT)	DISTANCE BETWEEN SITES (FT)
43	45	
42	70	25
41	85	15
40	110	25
39	125	15
38	155	30
37	185	30
36	200	15
35	221	21
34	245	24
33	260	15
32	275	15
31	290	15
30	305	15
29	325	20
28	350	25
27	365	15
26	380	15
25	395	15
1	20	
2	35	15

RW&B ACTIVITIES			
KID'S ZONE SCHEDULE			
ACTIVITY	START TIME	END TIME	
BOUNCE HOUSE	5PM	10PM	
FACE PAINTING	6PM	8PM	
FIRE DEPT WATER SPRAY	5PM	7PM	
PETTING ZOO	6PM	8PM	
PONY RIDES	6PM	8PM	
ROCK WALL	6PM	8PM	
OTHER			
ACTIVITY	START TIME	END TIME	
BAND	7PM	10:00 PM	AFTER FIREWORKS
CRAFT SHOW	5PM		
FIREWORKS	DUSK		
FOOD TRUCKS	5PM		AFTER FIREWORKS

KID'S ZONE BOUNCE HOUSE			
NUM	ITEM	LENGTH	WIDTH
KZ1	Single Lane Water Slide	30'	13'
KZ2	Rainbow Castle w/ Slide	20'	15'
KZ3	Hoops Game	9'-4"	9'-4"



SITE SETUP SPACE



- DRAWING SYMBOLS
- TREE ⊕
 - LIGHT POLE •
 - DRAIN •
 - PHONE POLE ⊙
 - WATER FAUCET •

ADDRESS:
305 N JOHN STREET
HIGHLAND, MI 48357

SHOW PLANNED DATE: SAT JUNE 24, 2023

SHOW PLANNED TIMES: 5PM-DUSK/
AFTER FIREWORKS

VENDOR SITES: (40) PLANNED

CONTACTS:
TERRI WHITE (248-255-6452)
info@theplansplace.com
NICOLE KING (248-935-0553)
nikkimcd8820@gmail.com

PARKING SPACES:
HIGHLAND TOWNSHIP
REGULAR (122)
HANDICAP(8)
SCHOOL REAR LOT
REGULAR (81)
HANDICAP (3)

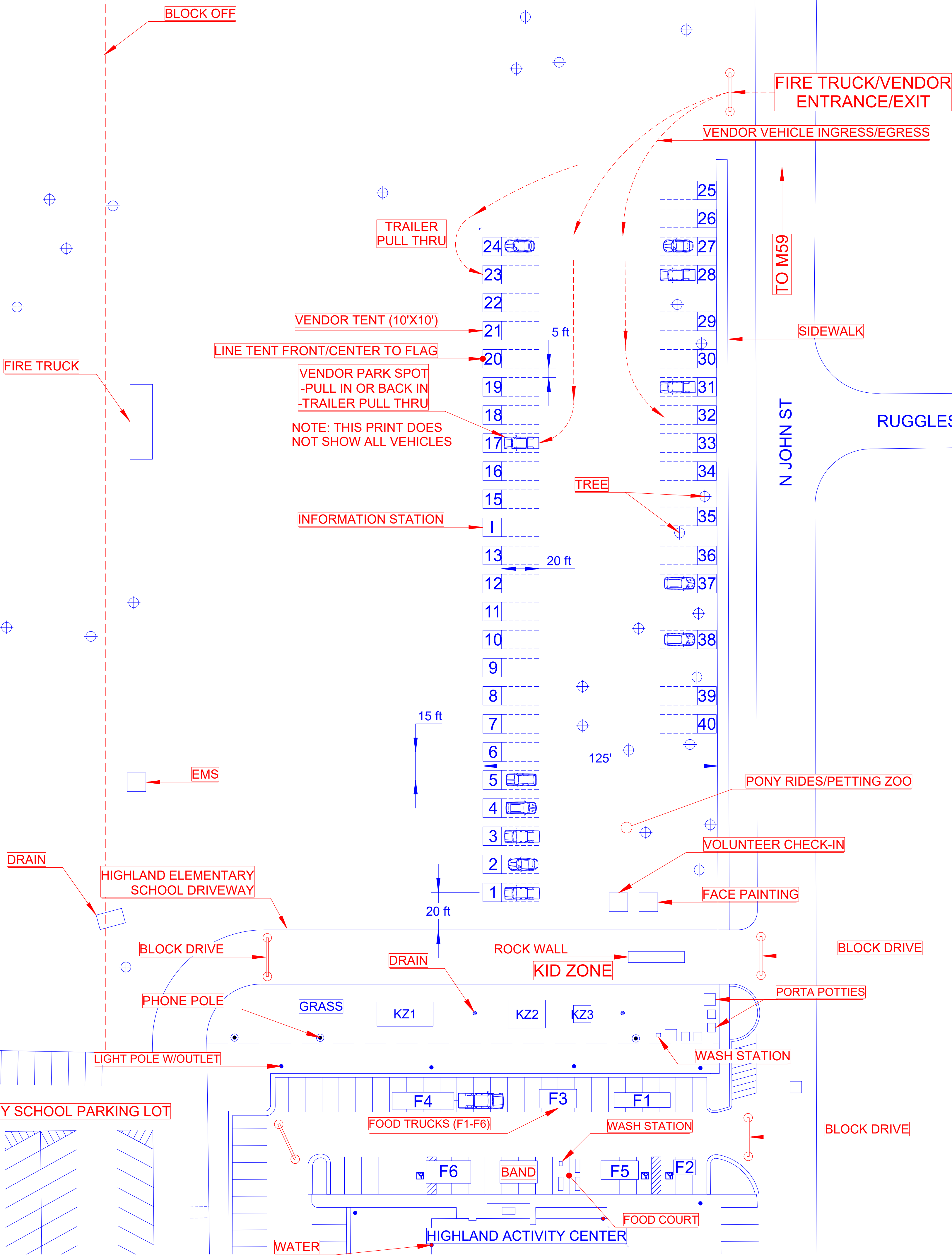
ThePlansPlace.com TITLE Red, White & Blues Festival

DWG NO JOHN ST FIELD PLOT PLAN

DATE RELEASED JUNE 20, 2023 DATE REVISED REV A

SCALE 1" = 25' SHEET 1 OF 1

We Got A Plan For You!



1

2

3

4

1

2

3

4