

# INITIAL RELEASE SUBJECT TO CHANGE

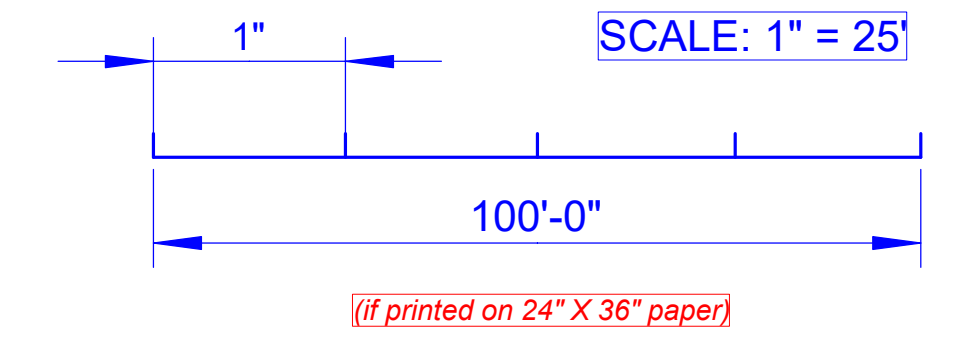
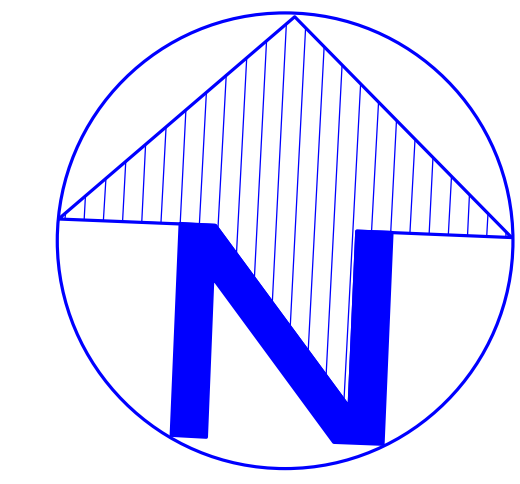
FOOD TRUCK PLACEMENT				
SITE NO.	DISTANCE FROM	DISTANCE (FT)	BETWEEN SITE TAGS	DISTANCE (FT)
F1	1st PL Line	0		
F2	PL SE Curb	61'-6"		
F3	PL SE Curb	38'		
F4	PL NE Curb	58'-7"	F6-F4	50'-9"
F5	PL SW Curb	43'-0"		
F6	PL NE Curb	7'-6"		
F7	PL NE Curb	87'	F4-F7	28'-5"
F8	PL SW Curb	5'-4"	F8-F5	37'-5"
F9	PL NE Curb	119'	F7-F9	32'
F10	PL NE Curb	168'	F9-F10	49'
F11	Last PL Line/Curb	0		
BAND	PL SW Curb	73'		

PL= PARKING LOT/Y DISTANCE TO CURB 10'

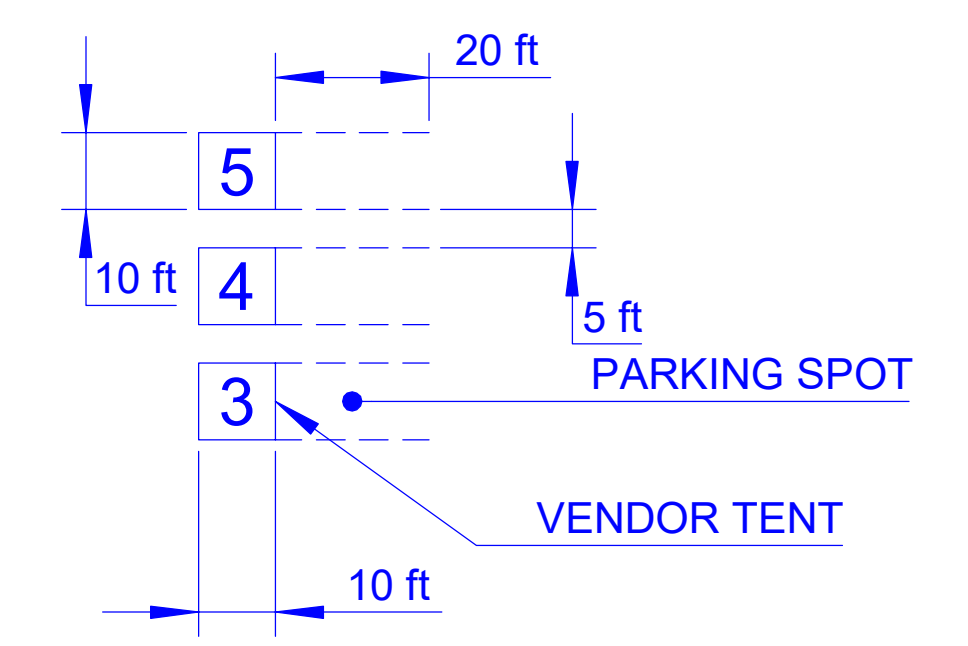
TENT PLACEMENT		
SITE NO.	DISTANCE FROM DRIVEWAY (FT)	DISTANCE BETWEEN SITES (FT)
43	45	25
42	70	15
41	85	15
40	110	25
39	125	15
38	155	30
37	185	30
36	200	15
35	221	21
34	245	24
33	260	15
32	275	15
31	290	15
30	305	15
29	325	20
28	350	25
27	365	15
26	380	15
25	395	15
1	20	
2	35	15

RW&B ACTIVITIES		
KID'S ZONE SCHEDULE		
ACTIVITY	START TIME	END TIME
BOUNCE HOUSE	6PM	10PM
FACE PAINTING	6PM	9PM
FIRE DEPT WATER SPRAY	5PM	7PM
PETTING ZOO	6PM	8PM
PONY RIDES	6PM	8PM
ROCK WALL	6PM	8PM
OTHER		
ACTIVITY	START TIME	END TIME
MICHAEL MAY AND MESS AROUNDS BAND	5PM	7PM
THE RANDY BROCK GROUP	7:30PM	9:30PM
CRAFT SHOW	5PM	AFTER FIREWORKS
FIREWORKS	DUSK	
FOOD TRUCKS	5PM	AFTER FIREWORKS

KID'S ZONE BOUNCE HOUSE				
NUM	ITEM	LENGTH	WIDTH	HEIGHT
KZ1	SNEAKER SLIDE	20'	13'	24'
KZ2	GOLF GLOW INFLATABLE	9'-6"	20'	18'
KZ3	BOOM BOX BOUNCER	19'-8"	25'	14'



## SITE SETUP SPACE



- DRAWING SYMBOLS
- TREE ⊕
  - LIGHT POLE •
  - DRAIN •
  - PHONE POLE ◉
  - WATER FAUCET •
  - FRONT -

ADDRESS:  
305 N JOHN STREET  
HIGHLAND, MI 48357

SHOW PLANNED DATE: SAT JUNE 27, 2026  
SHOW PLANNED TIMES: 5PM-11PM/  
AFTER FIREWORKS

VENDOR SITES: (40) PLANNED

CONTACTS:  
TERRI WHITE (248-255-6452)  
info@theplansplace.com  
NICOLE KING (248-935-0553)  
nikkimcd8820@gmail.com

PARKING SPACES:  
HIGHLAND TOWNSHIP REGULAR (122)  
HANDICAP (8)  
SCHOOL REAR LOT REGULAR (81)  
HANDICAP (3)

DRAWING REVISIONS  
3/19/2026: MOVE BOUNCE HOUSES TO FIELD  
3/19/2026: MOVE FOOD TRUCKS TO GRASS  
3/19/2026: ADD MORE PORTA POTTIES

TITLE Red, White & Blues Festival		
DWGNO Highland Plot Plan/2026 RWB		
DATE RELEASED JUNE 20, 2023	DATE REVISED MARCH 19, 2026	REV V1
SCALE 1" = 25'		SHEET 1 OF 1

