

FIREWORKS

BLOCK OFF

FIRE TRUCK/VENDOR ENTRANCE/EXIT

VENDOR VEHICLE INGRESS/EGRESS

TRAILER PULL THRU

VENDOR TENT (10'X10')

LINE TENT FRONT/CENTER TO FLAG

**VENDOR PARK SPOT
-PULL IN OR BACK IN
-TRAILER PULL THRU**

NOTE: THIS PRINT DOES NOT SHOW ALL VEHICLES

INFORMATION STATION

TO M59

N JOHN ST

RUGGLES

SITE NO.	DISTANCE FROM	DISTANCE (FT)	BETWEEN SITE TAGS	DISTANCE (FT)
F1	1st PL Line	0		
F2	PL SE Curb	61'-6"		
F3	PL SE Curb	38'-6"	F4-F6	69'
F4	PL NE Curb	67'		
F5	PL SW Curb	43'-0"		
F6	PL NE Curb	7'-6"		
F7	PL NE Curb	99'-6"	F4-F7	33'
F8	PL SW Curb	5'-4"	F7-F9	34'
F9	PL NE Curb	133'-6"	F9-F10	32'-3"
F10	PL NE Curb	165'-6"		
F11	Last PL Line/Curb	0		
BAND	PL SW Curb	73'-6"		

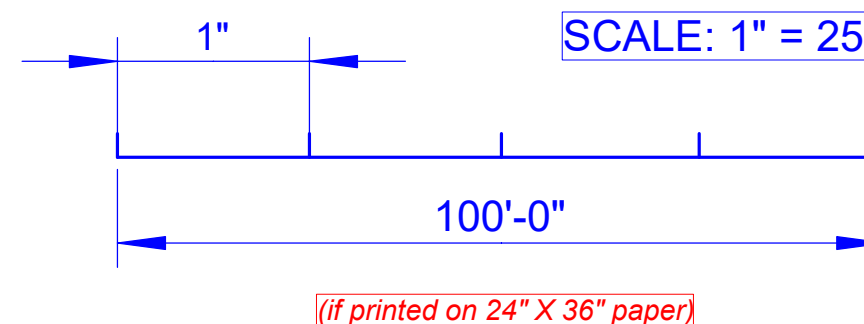
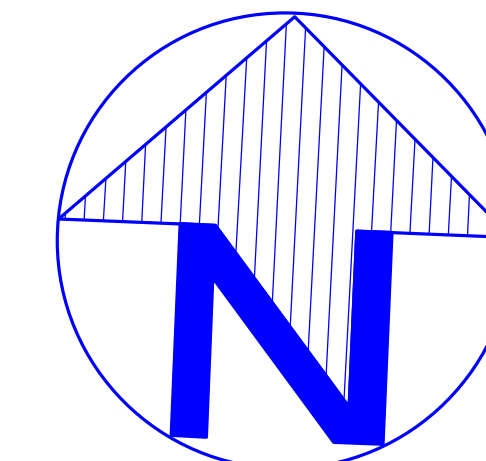
SITE NO.	DISTANCE FROM DRIVEWAY (FT)	DISTANCE BETWEEN SITES (FT)
43	45	25
42	70	15
41	85	15
40	110	25
39	125	15
38	155	30
37	185	30
36	200	15
35	221	21
34	245	24
33	260	15
32	275	15
31	290	15
30	305	15
29	325	20
28	350	25
27	365	15
26	380	15
25	395	15

**Note: Items in the Chart are 2024
2025 Items/Times Added When Available**

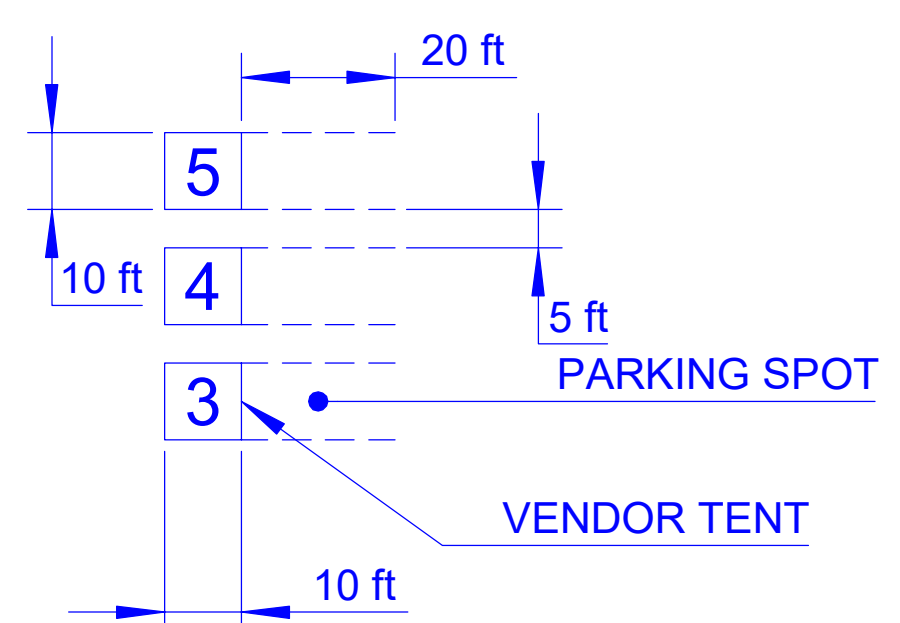
KID'S ZONE SCHEDULE		
ACTIVITY	START TIME	END TIME
BOUNCE HOUSE	5PM	10PM
FACE PAINTING	6PM	8PM
FIRE DEPT WATER SPRAY	5PM	7PM
PETTING ZOO	6PM	8PM
PONY RIDES	6PM	8PM
ROCK WALL	6PM	8PM

OTHER		
ACTIVITY	START TIME	END TIME
MICHAEL MAY AND MESS AROUNDS BAND	5PM	7PM
THE RANDY BROCK GROUP	7:30PM	9:30PM
CRAFT SHOW	5PM	AFTER FIREWORKS
FIREWORKS	DUSK	
FOOD TRUCKS	5PM	AFTER FIREWORKS

KID'S ZONE BOUNCE HOUSE			
NUM	ITEM	LENGTH	WIDTH
KZ1	Single Lane Water Slide	30'	13'
KZ2	Rainbow Castle w/ Slide	20'	15'
KZ3	Hoops Game	9'-4"	9'-4"



SITE SETUP SPACE



- DRAWING SYMBOLS**
- TREE ⊕
 - LIGHT POLE •
 - DRAIN •
 - PHONE POLE ●
 - WATER FAUCET •
 - FRONT -

ADDRESS:
305 N JOHN STREET
HIGHLAND, MI 48357

SHOW PLANNED DATE: SAT JUNE 28, 2025

SHOW PLANNED TIMES: 5PM-DUSK/
AFTER FIREWORKS

VENDOR SITES: (40) PLANNED

CONTACTS:
TERRI WHITE (248-255-6452)
info@theplansplace.com
NICOLE KING (248-935-0553)
nikkimcd8820@gmail.com

PARKING SPACES:
HIGHLAND TOWNSHIP REGULAR (122)
HANDICAP (8)
SCHOOL REAR LOT REGULAR (81)
HANDICAP (3)

DRAWING REVISIONS
03/06/2025: Revised Food Truck Sizes and Locations

ThePlansPlace.com TITLE: Red, White & Blues Festival
 DWGNO: 2021 JOHN ST FIELD PLOT PLAN V1
 DATE RELEASED: JUNE 20, 2023 DATE REVISED: MARCH 6, 2025 REV: 7
 SCALE: 1" = 25' SHEET 1 OF 1

