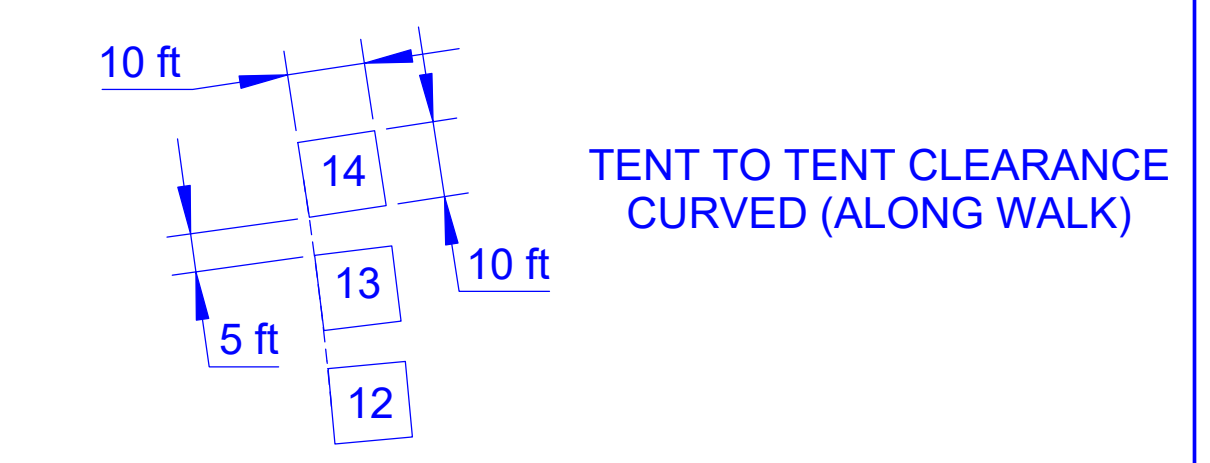
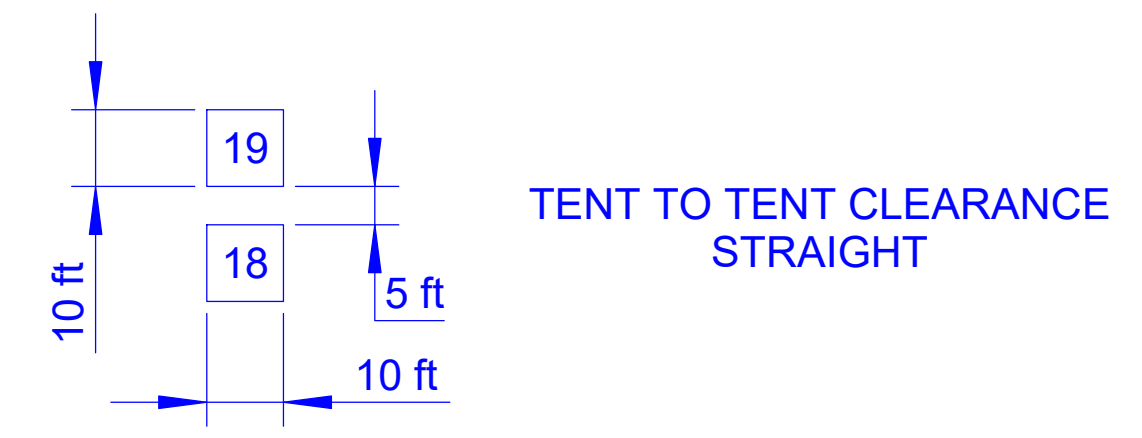


(if printed on 24" X 36" paper)

SITE SETUP SPACE
SCALE: 1" = 25'



ADDRESS:
250/300 W LIVINGSTON RD
HIGHLAND, MI 48357

SHOW PLANNED DATE: SAT MAY 18, 2024
SHOW PLANNED TIMES: 9-4 PM

VENDOR SITES: (47) PLANNED

CONTACTS:
TERRI WHITE (248-255-6452)
info@theplanspace.com
NICOLE KING (248-935-0553)
nikkimcd8820@gmail.com

PARKING SPACES
HIGHLAND TOWNSHIP:
REGULAR (122)
HANDICAP (8)
SCHOOL REAR LOT
REGULAR (81)
HANDICAP (3)

DRAWING REVISIONS
4/14/2024: ADDED TABLES/CHAIRS
4/23/2024: MINOR PRINT REVISIONS
4/30/2024: ADD FELDMAN CHEV

	TITLE	FOUNDERS DAY
	DWG NO	2024 FOUNDERS DAY PLOT PLAN V5
	DATE RELEASED	5/15/2023
	DATE REVISED	04/30/2024
SCALE	1" = 25'	REV V5
SHEET 1 OF 1		