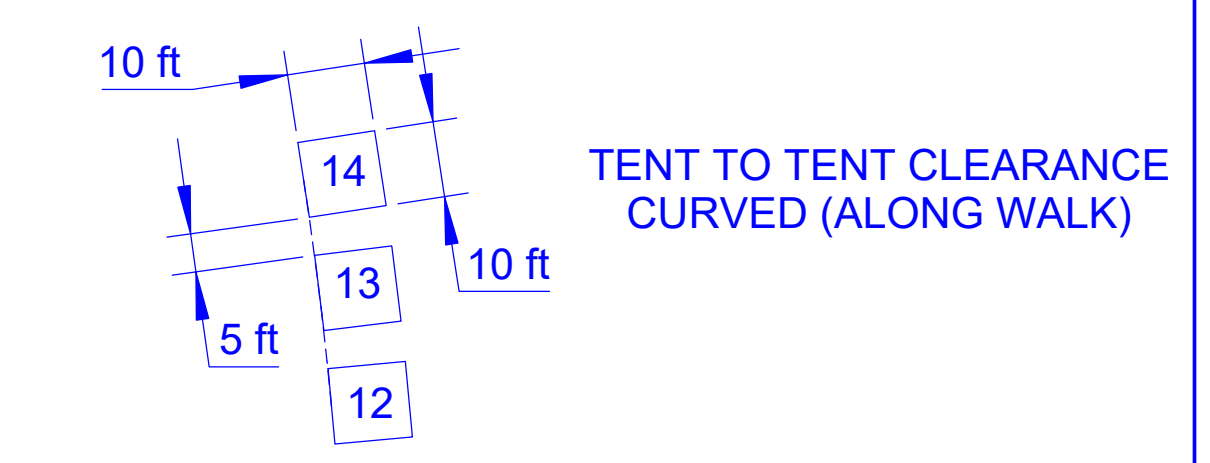
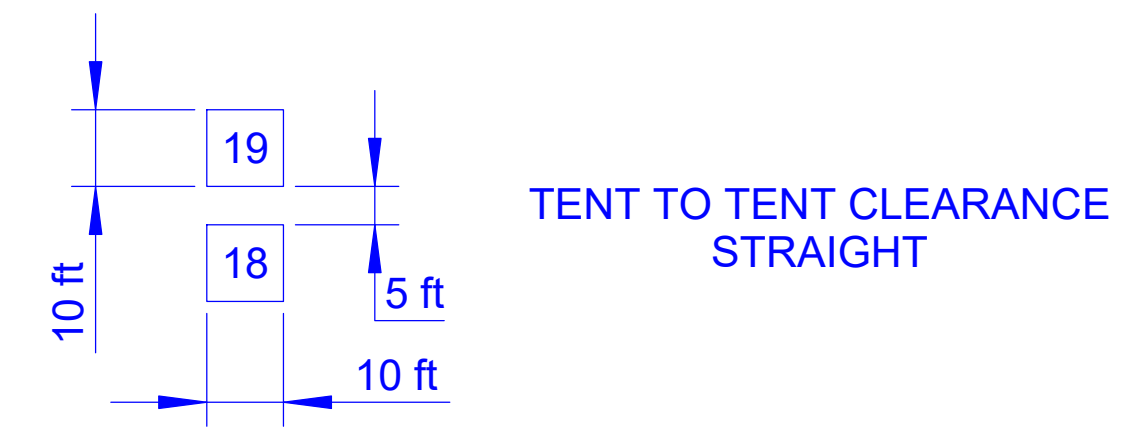


(if printed on 24" X 36" paper)

**SITE SETUP SPACE**  
SCALE: 1" = 25'



ADDRESS:  
250/300 W LIVINGSTON RD  
HIGHLAND, MI 48357

SHOW PLANNED DATE: SAT MAY 18, 2024  
SHOW PLANNED TIMES: 9-4 PM

VENDOR SITES: (47) PLANNED

CONTACTS:  
TERRI WHITE (248-255-6452)  
info@theplanspace.com  
NICOLE KING (248-935-0553)  
nikkimcd8820@gmail.com

**PARKING SPACES**  
HIGHLAND TOWNSHIP:  
REGULAR (122)  
HANDICAP (8)  
SCHOOL REAR LOT  
REGULAR (81)  
HANDICAP (3)

**DRAWING REVISIONS**  
4/14/2024: ADDED TABLES/CHAIRS  
4/23/2024: MINOR PRINT REVISIONS  
4/30/2024: ADD FELDMAN CHEV

<p>ThePlansPlace.com</p>	TITLE	FOUNDERS DAY
	DWG NO	2024 FOUNDERS DAY PLOT PLAN V5
	DATE RELEASED	5/15/2023
	DATE REVISED	04/30/2024
SCALE	1" = 25'	REV V5
SHEET 1 OF 1		