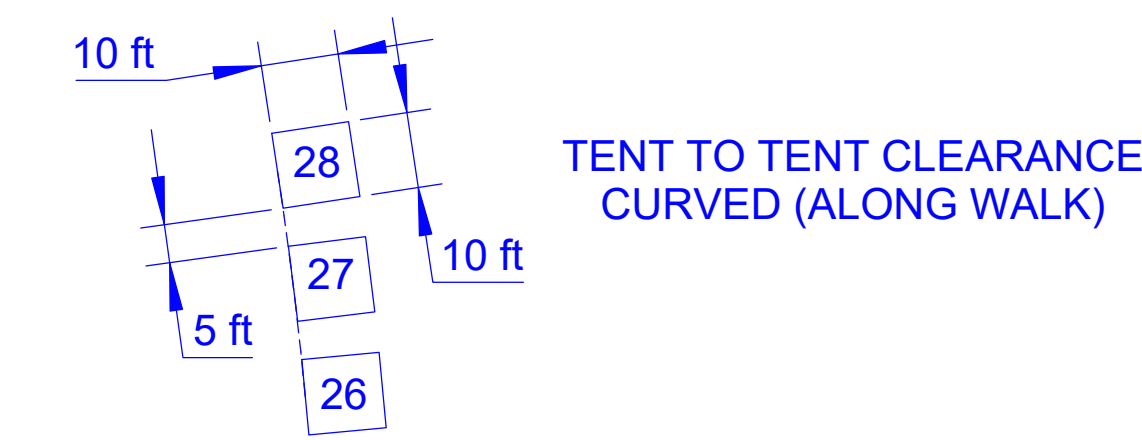
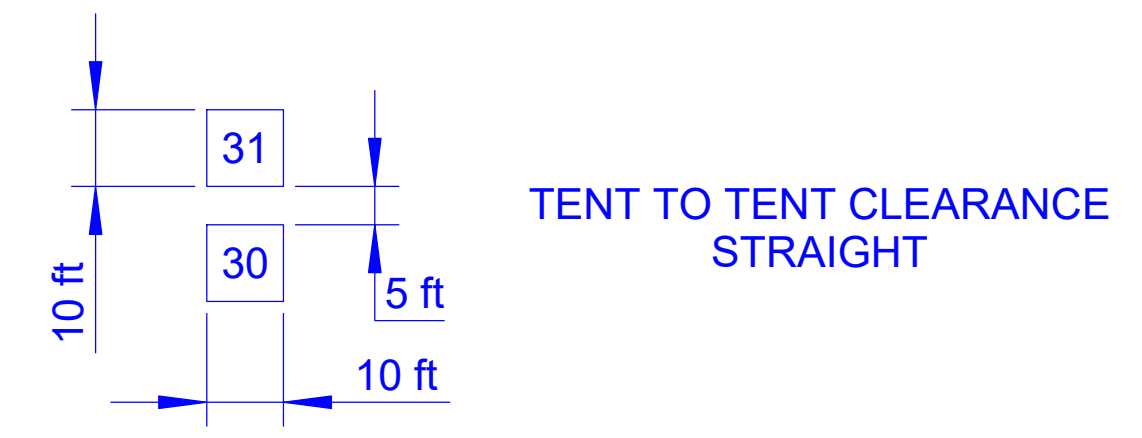


*(if printed on 24" X 36" paper)*

**SITE SETUP SPACE**  
SCALE: 1" = 25'



ADDRESS:  
250/300 W LIVINGSTON RD  
HIGHLAND, MI 48357

SHOW PLANNED DATE: SAT MAY 20, 2023

SHOW PLANNED TIMES: 9-4 PM

VENDOR SITES: (39) PLANNED

CONTACTS:  
TERRI WHITE (248-255-6452)  
info@theplansplace.com  
NICOLE KING (248-935-0553)  
nikkimcd8820@gmail.com

**PARKING SPACES**  
HIGHLAND TOWNSHIP:  
REGULAR (122)  
HANDICAP(8)  
SCHOOL REAR LOT  
REGULAR (81)  
HANDICAP (3)



TITLE		FOUNDERS DAY	
DWG NO		FOUNDERS DAY CRAFT SHOW PLAN	
DATE RELEASED	TBD	DATE REVISED	REV A
SCALE	1" = 25'	SHEET 1 OF 1	