

FIREWORKS

BLOCK OFF

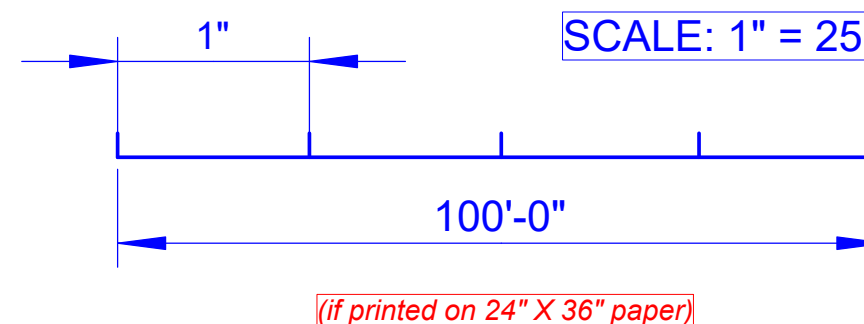
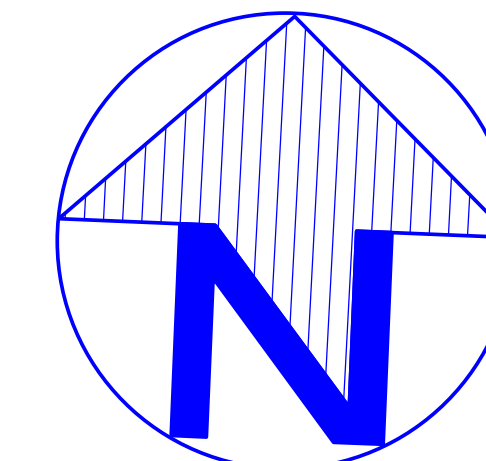
FIRE TRUCK/VENDOR ENTRANCE/EXIT

VENDOR VEHICLE INGRESS/EGRESS

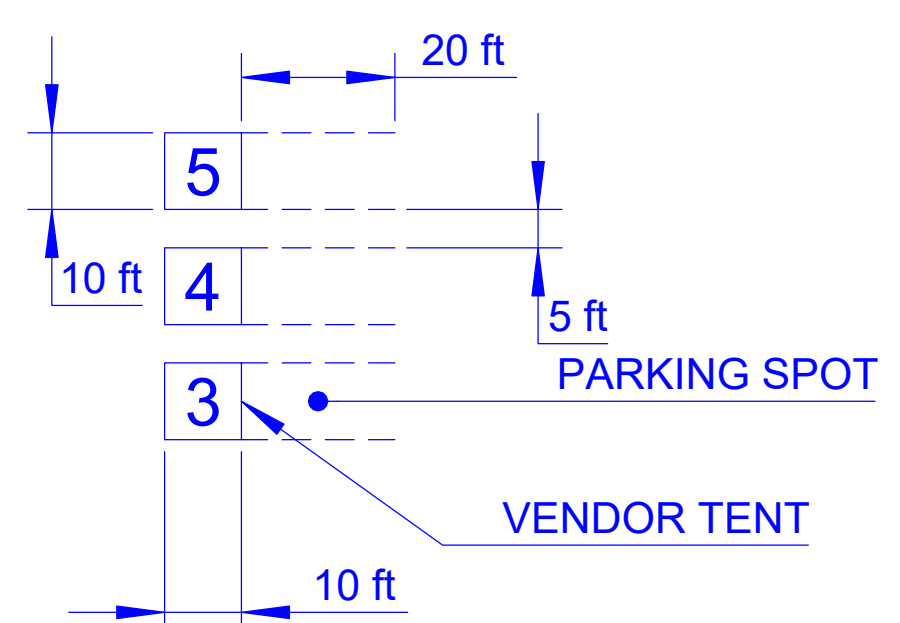
SITE NO.	DISTANCE FROM DRIVEWAY (FT)	DISTANCE BETWEEN SITES (FT)
43	45	
42	70	25
41	85	15
40	110	25
39	125	15
38	155	30
37	185	30
36	200	15
35	221	21
34	245	24
33	260	15
32	275	15
31	290	15
30	305	15
29	325	20
28	350	25
27	365	15
26	380	15
25	395	15
1	20	
2	35	15

RW&B ACTIVITIES		
KID'S ZONE SCHEDULE		
ACTIVITY	START TIME	END TIME
BOUNCE HOUSE	5PM	10PM
FACE PAINTING	6PM	8PM
FIRE DEPT WATER SPRAY	5PM	7PM
PETTING ZOO	6PM	8PM
PONY RIDES	6PM	8PM
ROCK WALL	6PM	8PM
OTHER		
ACTIVITY	START TIME	END TIME
MICHAEL MAY AND MESS	5PM	7PM
AROUNDS BAND		
THE RANDY BROCK GROUP	7:30PM	9:30PM
CRAFT SHOW	5PM	AFTER FIREWORKS
FIREWORKS	DUSK	AFTER FIREWORKS
FOOD TRUCKS	5PM	AFTER FIREWORKS

KID'S ZONE BOUNCE HOUSE			
NUM	ITEM	LENGTH	WIDTH
KZ1	Single Lane Water Slide	30'	13'
KZ2	Rainbow Castle w/ Slide	20'	15'
KZ3	Hoops Game	9'-4"	9'-4"



SITE SETUP SPACE



- DRAWING SYMBOLS
- TREE ⊕
 - LIGHT POLE •
 - DRAIN •
 - PHONE POLE ●
 - WATER FAUCET •
 - FRONT ->

ADDRESS:
305 N JOHN STREET
HIGHLAND, MI 48357

SHOW PLANNED DATE: SAT JUNE 29, 2024

SHOW PLANNED TIMES: 5PM-DUSK/
AFTER FIREWORKS

VENDOR SITES: (40) PLANNED

CONTACTS:
TERRI WHITE (248-255-6452)
info@theplansplace.com
NICOLE KING (248-935-0553)
nikkimcd8820@gmail.com

PARKING SPACES:
HIGHLAND TOWNSHIP REGULAR (122)
HANDICAP (8)
SCHOOL REAR LOT REGULAR (81)
HANDICAP (3)

DRAWING REVISIONS
4/13/2024: ADD BAND STAGE

ThePlansPlace.com TITLE: Red, White & Blues Festival
 DWG NO: 2024 JOHN ST FIELD PLOT PLAN V3
 DATE RELEASED: JUNE 20, 2023 DATE REVISED: APRIL 13, 2024 REV: B
 SCALE: 1" = 25' SHEET 1 OF 1

FIRE TRUCK

TRAILER PULL THRU

VENDOR TENT (10'X10')

LINE TENT FRONT/CENTER TO FLAG

VENDOR PARK SPOT
-PULL IN OR BACK IN
-TRAILER PULL THRU

NOTE: THIS PRINT DOES NOT SHOW ALL VEHICLES

INFORMATION STATION

TO M59

SIDEWALK

N JOHN ST

RUGGLES

TREE

EMS

DRAIN

HIGHLAND ELEMENTARY SCHOOL DRIVEWAY

BLOCK DRIVE

PHONE POLE

LIGHT POLE W/OUTLET

HIGHLAND ELEMENTARY SCHOOL PARKING LOT

WATER

DRAIN

ROCK WALL

KID ZONE

VOLUNTEER CHECK-IN

FACE PAINTING

PONY RIDES/PETTING ZOO

PORTA POTTIES

WASH STATION

FOOD TRUCKS (F1-F8)

STAGE

WASH STATION

BLOCK DRIVE

BAND

F3

F2

HIGHLAND ACTIVITY CENTER

FOOD COURT