

FIREWORKS

SITE NO.	DISTANCE FROM DRIVEWAY (FT)	DISTANCE BETWEEN SITES (FT)
43	45	
42	70	25
41	85	15
40	110	25
39	125	15
38	155	30
37	185	30
36	200	15
35	221	21
34	245	24
33	260	15
32	275	15
31	290	15
30	305	15
29	325	20
28	350	25
27	365	15
26	380	15
25	395	15
1	20	
2	35	15

TIMES/ACTIVITIES ARE TBD

RW&B ACTIVITIES		
KID'S ZONE SCHEDULE		
ACTIVITY	START TIME	END TIME
BOUNCE HOUSE	5PM	10PM
FACE PAINTING	6PM	8PM
FIRE DEPT WATER SPRAY	5PM	7PM
PETTING ZOO	6PM	8PM
PONY RIDES	6PM	8PM
ROCK WALL	6PM	8PM
OTHER		
ACTIVITY	START TIME	END TIME
BAND	7PM	10:00 PM
CRAFT SHOW	5PM	AFTER FIREWORKS
FIREWORKS	DUSK	
FOOD TRUCKS	5PM	AFTER FIREWORKS

KID'S ZONE BOUNCE HOUSE			
NUM	ITEM	LENGTH	WIDTH
KZ1	Single Lane Water Slide	30'	13'
KZ2	Rainbow Castle w/ Slide	20'	15'
KZ3	Hoops Game	9'-4"	9'-4"

BLOCK OFF

FIRE TRUCK/VENDOR ENTRANCE/EXIT

VENDOR VEHICLE INGRESS/EGRESS

TRAILER PULL THRU

VENDOR TENT (10'X10')

LINE TENT FRONT/CENTER TO FLAG

VENDOR PARK SPOT -PULL IN OR BACK IN -TRAILER PULL THRU

NOTE: THIS PRINT DOES NOT SHOW ALL VEHICLES

INFORMATION STATION

SIDEWALK

RUGGLES

N JOHN ST

PONY RIDES/PETTING ZOO

VOLUNTEER CHECK-IN

FACE PAINTING

HIGHLAND ELEMENTARY SCHOOL DRIVEWAY

BLOCK DRIVE

ROCK WALL

KID ZONE

BLOCK DRIVE

PHONE POLE

GRASS

KZ1

KZ2

KZ3

PORTA POTTIES

LIGHT POLE W/OUTLET

WASH STATION

HIGHLAND ELEMENTARY SCHOOL PARKING LOT

FOOD TRUCKS (F1-F8)

WASH STATION

BLOCK DRIVE

F5

BAND

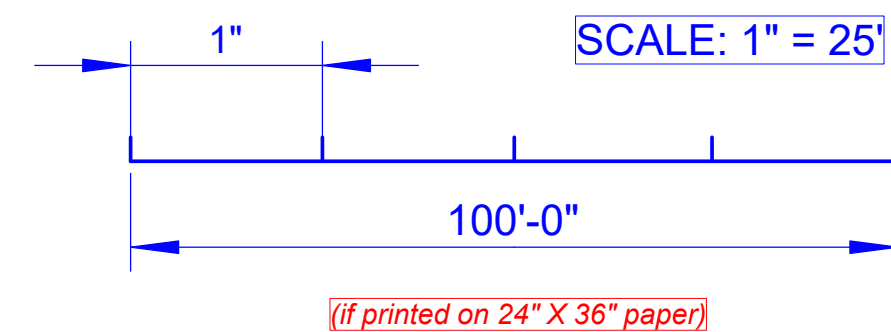
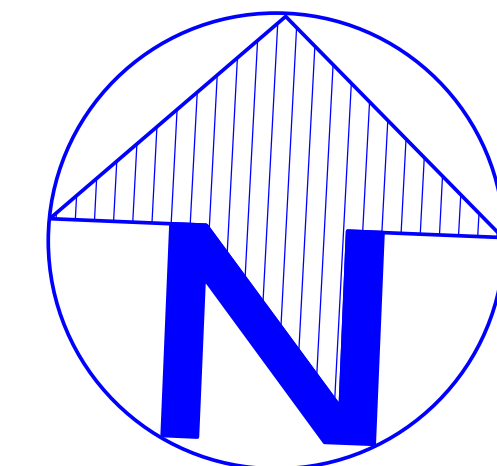
F3

F2

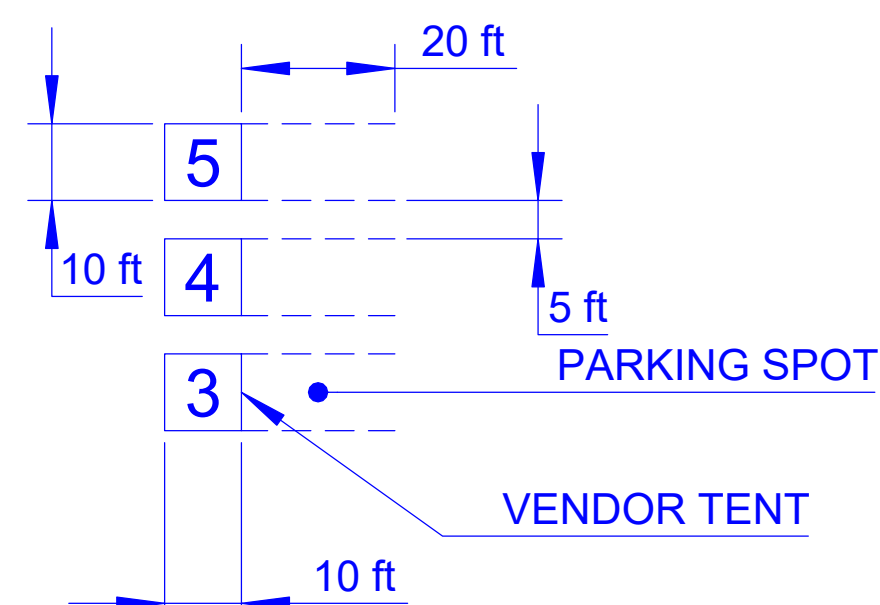
WATER

HIGHLAND ACTIVITY CENTER

FOOD COURT



SITE SETUP SPACE



DRAWING SYMBOLS

- TREE ⊕
- LIGHT POLE •
- DRAIN ◦
- PHONE POLE ⊙
- WATER FAUCET ◦
- FRONT -

ADDRESS:
305 N JOHN STREET
HIGHLAND, MI 48357

SHOW PLANNED DATE: SAT JUNE 29, 2024

SHOW PLANNED TIMES: 5PM-DUSK/
AFTER FIREWORKS

VENDOR SITES: (40) PLANNED

CONTACTS:

TERRI WHITE (248-255-6452)
info@theplansplace.com

NICOLE KING (248-935-0553)
nikkimcd8820@gmail.com

PARKING SPACES:

HIGHLAND TOWNSHIP
REGULAR (122)
HANDICAP(8)

SCHOOL REAR LOT
REGULAR (81)
HANDICAP (3)



Red, White & Blues Festival

DWG NO
2024 JOHN ST FIELD PLOT PLAN V1

DATE RELEASED JUNE 20, 2023	DATE REVISED MARCH 21, 2024	REV B
SCALE 1" = 25'		SHEET 1 OF 1