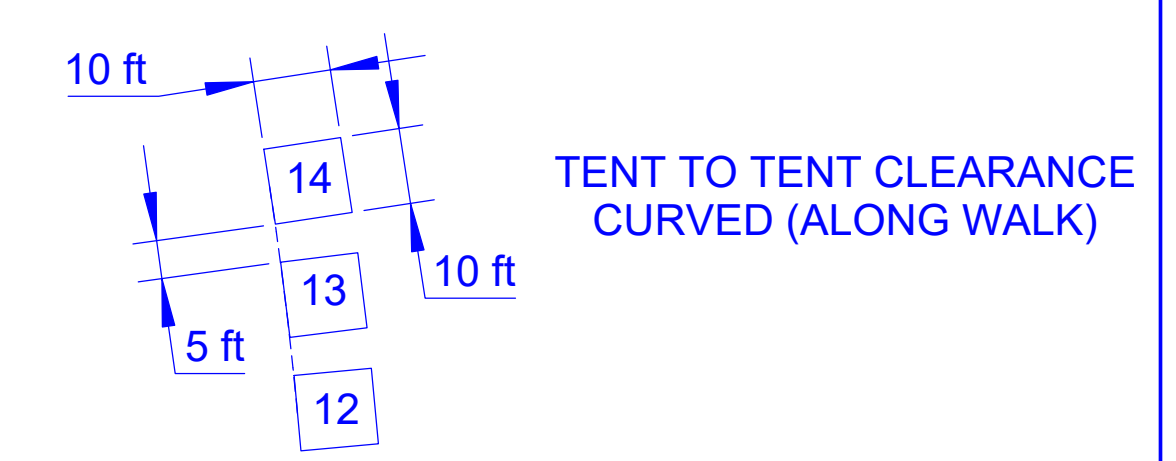
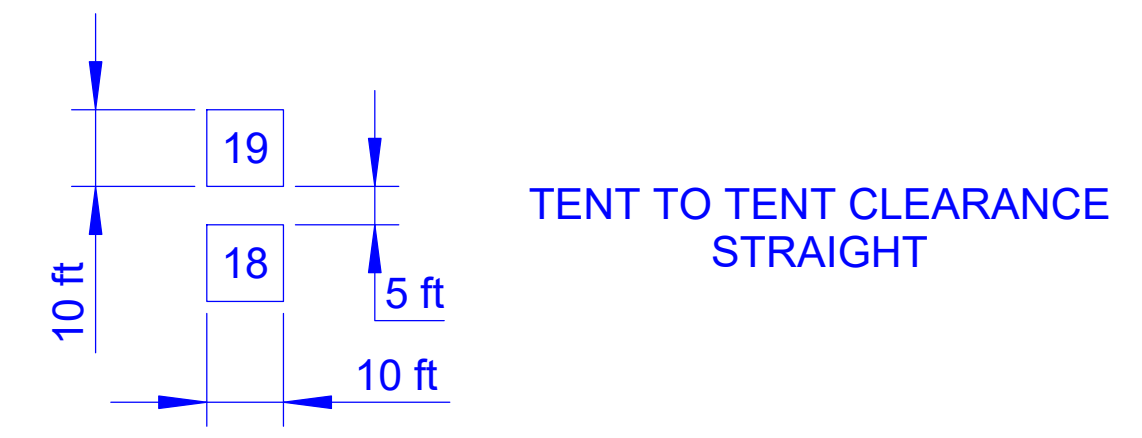


(if printed on 24" X 36" paper)

SITE SETUP SPACE
SCALE: 1" = 25'



ADDRESS:
250/300 W LIVINGSTON RD
HIGHLAND, MI 48357

SHOW PLANNED DATE: SAT MAY 18, 2024

SHOW PLANNED TIMES: 9-4 PM

VENDOR SITES: (47) PLANNED

CONTACTS:
TERRI WHITE (248-255-6452)
info@theplansplace.com
NICOLE KING (248-935-0553)
nikkimcd8820@gmail.com

PARKING SPACES
HIGHLAND TOWNSHIP:
REGULAR (122)
HANDICAP(8)
SCHOOL REAR LOT
REGULAR (81)
HANDICAP (3)



TITLE FOUNDERS DAY		
DWG NO 2024 FOUNDERS DAY PLOT PLAN V2		
DATE RELEASED 5/15/2023	DATE REVISED 03/20/2024	REV B
SCALE 1" = 25'		SHEET 1 OF 1

NOTE: LIVINGSTON RD BLOCKED AT M59 9AM
COMPLETE CLOSURE 10AM-11 AM

#2: CLOSED AFTER PARADE
OPEN 4PM

#5: CLOSED
(10AM-4PM)