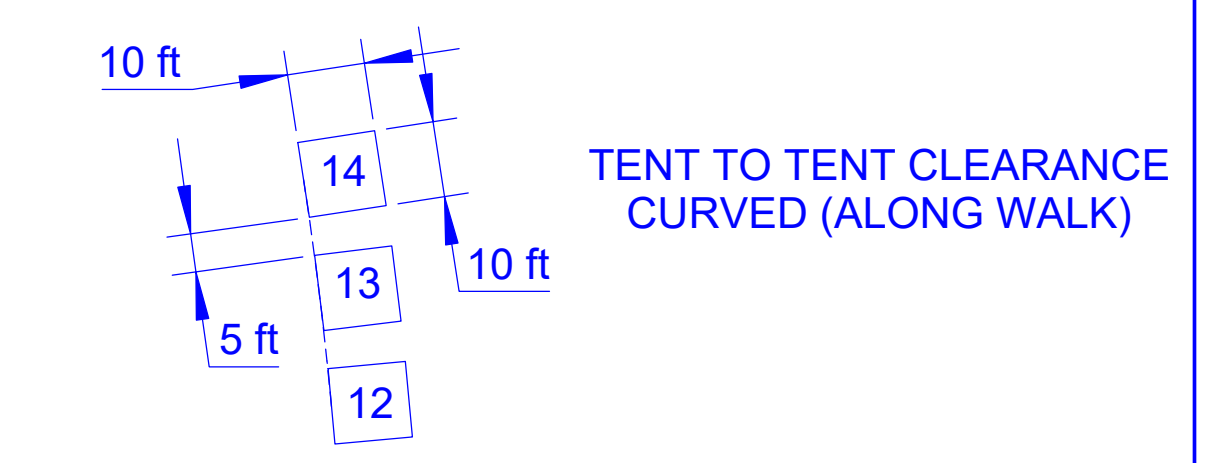
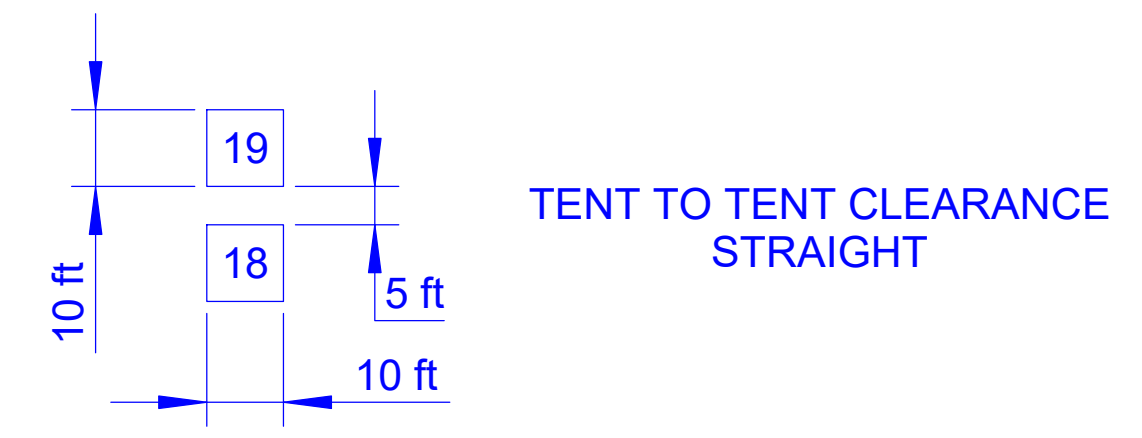


(if printed on 24" X 36" paper)

SITE SETUP SPACE
SCALE: 1" = 25'



ADDRESS:
250/300 W LIVINGSTON RD
HIGHLAND, MI 48357

SHOW PLANNED DATE: SAT MAY 18, 2024

SHOW PLANNED TIMES: 9-4 PM

VENDOR SITES: (47) PLANNED

CONTACTS:
TERRI WHITE (248-255-6452)
info@theplansplace.com
NICOLE KING (248-935-0553)
nikkimcd8820@gmail.com

PARKING SPACES
HIGHLAND TOWNSHIP:
REGULAR (122)
HANDICAP (8)
SCHOOL REAR LOT
REGULAR (81)
HANDICAP (3)

DRAWING REVISIONS
4/4/2024: ADD CAR SHOW AREA
4/4/2024: GENERAL DRAWING REVISIONS
4/8/2024: REMOVE KNIGHTS BIKES
4/14/2024: ADDED TABLES/CHAIRS
4/23/2024: MINOR PRINT REVISIONS

	FOUNDERS DAY		
	2024 FOUNDERS DAY PLOT PLAN V4		
DATE RELEASED	DATE REVISION	REV	
5/15/2023	04/23/2024	V4	
SCALE	1" = 25'		SHEET 1 OF 1

NOTE: LIVINGSTON RD BLOCKED AT M59 9AM COMPLETE CLOSURE 10AM-11 AM